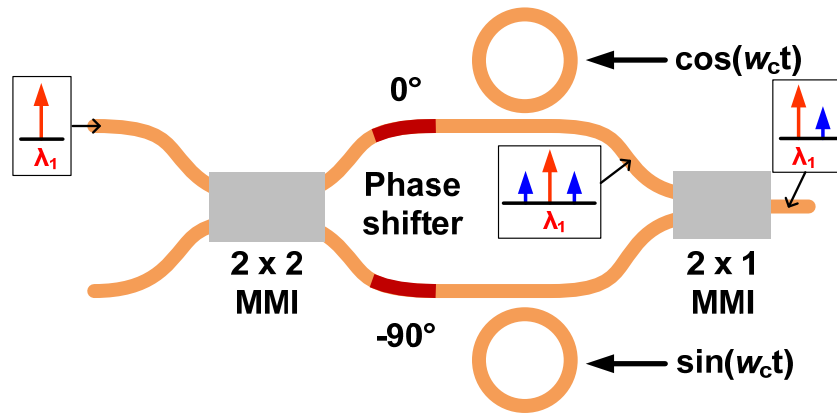
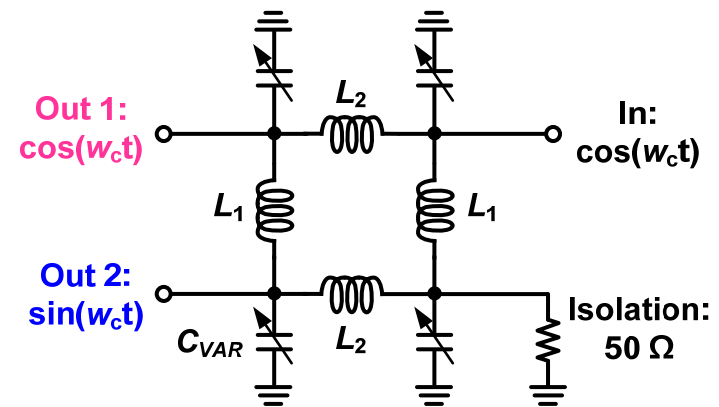


# Integrated SSB Modulator and QHC

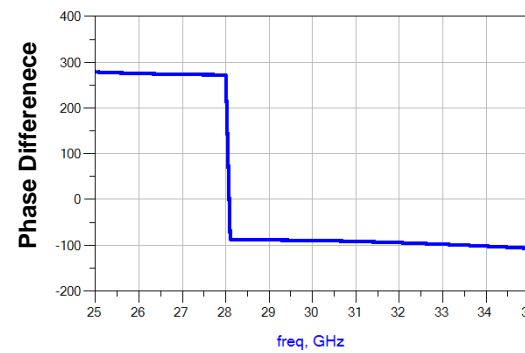
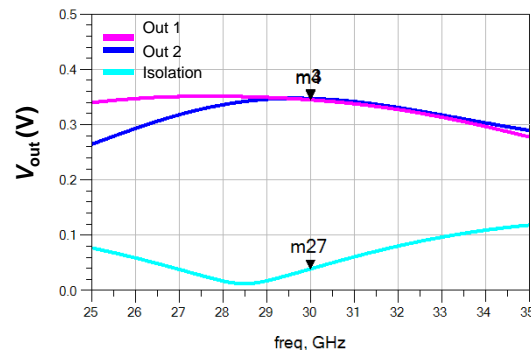
- SSB modulator: ring-assisted MZM type
- Quadrature hybrid coupler (QHC): I-Q signal generation



<SSB modulator>

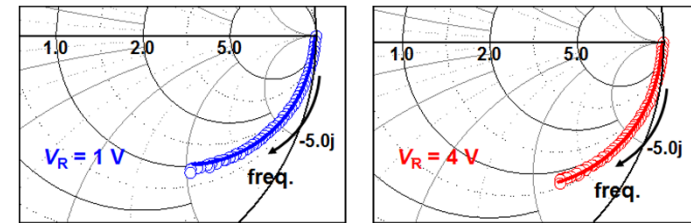
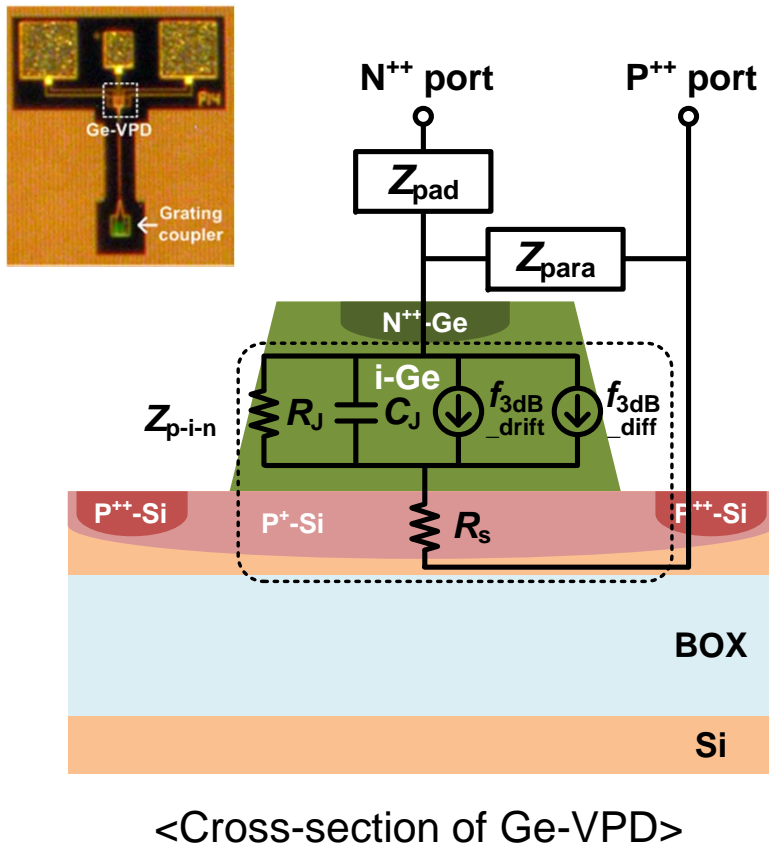


<QHC for SSB modulator>



# Equivalent Circuit Model of Ge-VPD

- Equivalent circuit model of Ge-VPD for integrated optical receiver design.
- Modeling for photogenerated carrier in intrinsic Ge layer.



<Electrical Coefficients>

